

FS-450-series

Door Sub-frame

Product Details

Details:

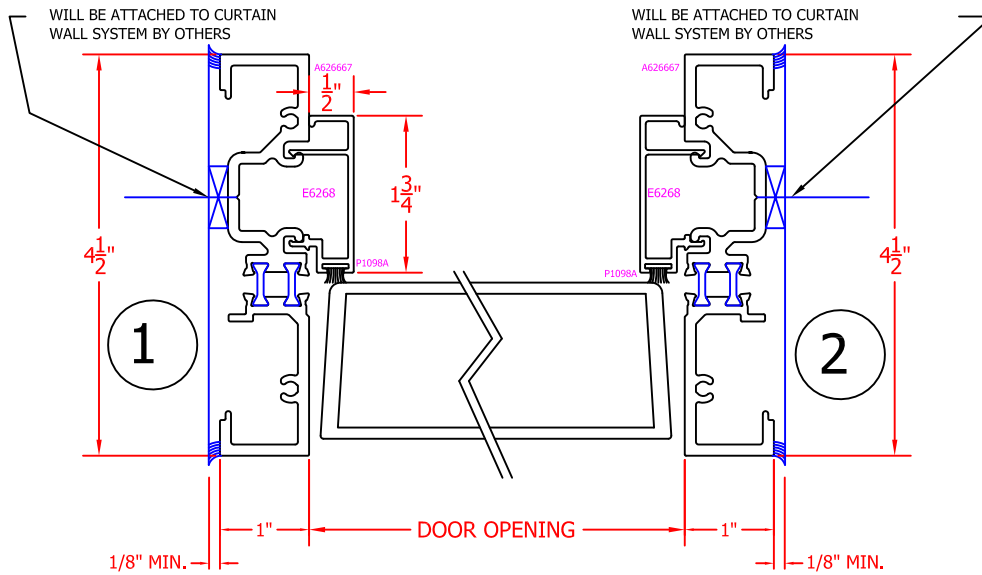
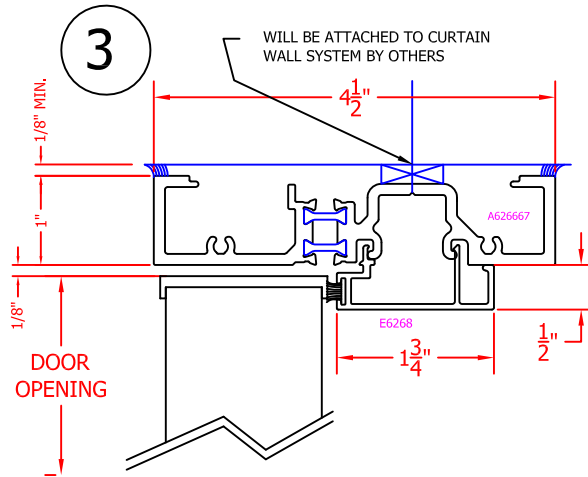
- FS-450-series Subframe is an excellent way to ensure that door and immediate door frame are prepped and coordinated properly for hardware, while allowing local and project site construction of curtainwall and storefronts.
- Easily mounts to any flat surface.
- Utilizes a snap-in heavy duty CDM-32 door stop, which is 3/16" thick, 5/8" high and 1-1/2" wide. This door stop is an excellent choice where closers, removable hardware mullion, and strikes are mounted directly to door stop.
- Door stop includes weatherseal pocket that accepts UltraFab's UltraFin weatherseals.
- Screwspline construction to ensure tight clean joints.
- Made with aluminum extrusions, which has approximately 4 times the yield and tensile strength of aluminum sheets.
- Thermally-broken subframing available for high-efficiency curtainwalls.
- Virtually maintenance-free construction.
- Concealed card readers available.
- Custom and standard anodized, painted, and wood grain finishes.

Product Uses

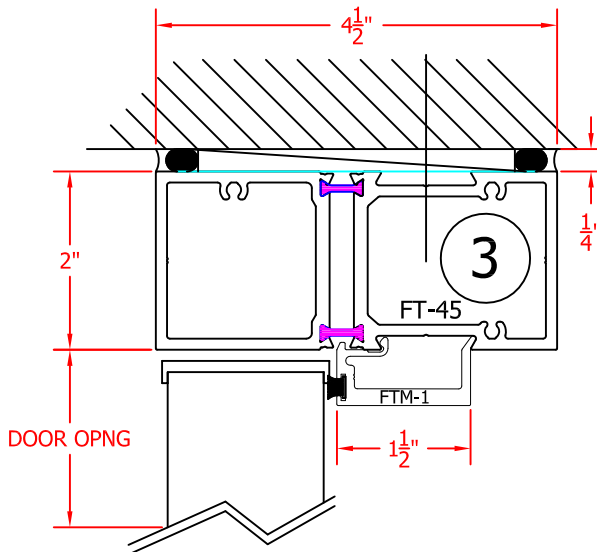
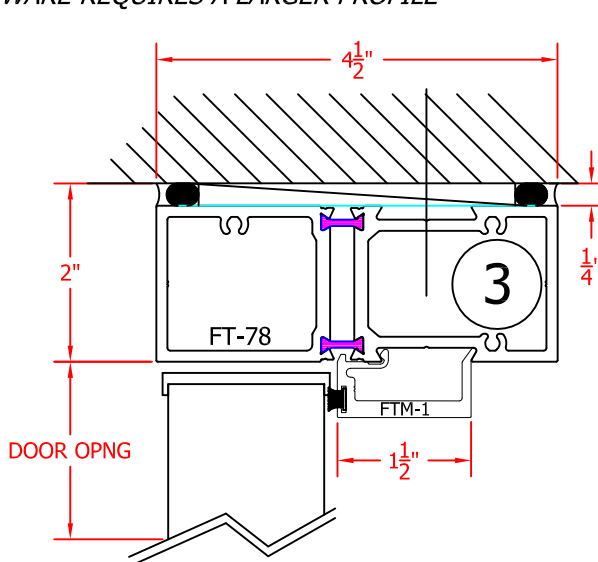
- Areas where curtainwall construction requires job site construction.
- Tight areas where ADA requirements, etc. require a larger door opening and rough opening will not allow with standard framing depths.
- Areas where local construction of storefronts and curtainwalls are required, and extensive door hardware prep for electrical systems, etc. needs to be done. This will ensure door and frame interface will work flawlessly.

FS-450-SERIES

Thermally Broken Sub-Framing Details

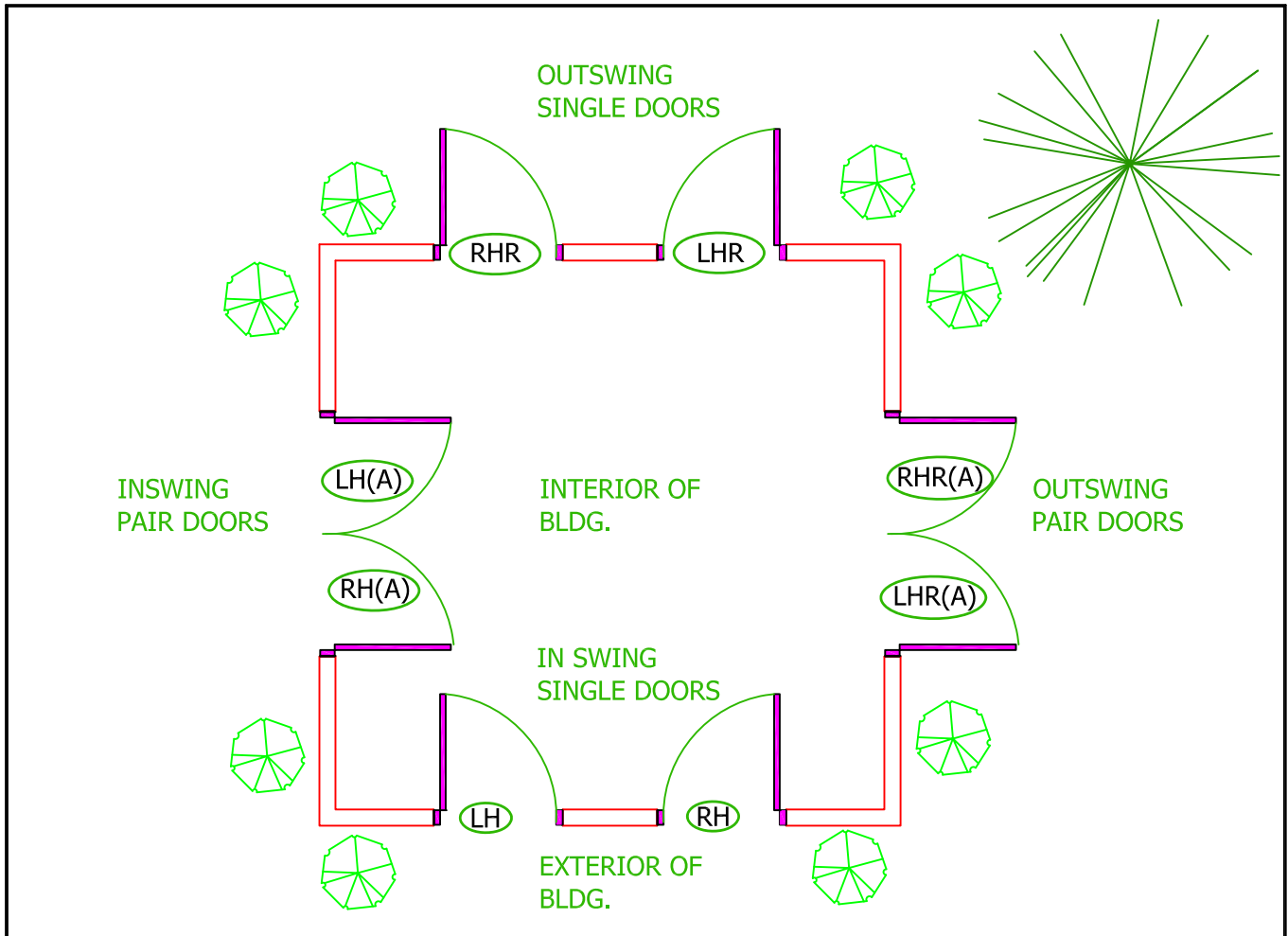


ADDITIONAL HEADERS IF CONCEALED
HARDWARE REQUIRES A LARGER PROFILE



FS-450-SERIES SUB-FRAMING

General Helps



FINDING DOOR SWINGS USING A FLOOR PLAN.

NOTE: ON PAIR DOORS, ONE DOOR LEAF IS USUALLY SELECTED AS THE ACTIVE LEAF. THIS IS DONE BY ATTACHING A LETTER A AT THE END OF THE ACTIVE DOORS HANDING.

OTHER IMPORTANT FACTORS FOR ALUMINUM DOOR AND FRAME SPECS.

- *REMEMBER TO SPECIFY SUB-FRAMING ALONG WITH DOOR BY DOOR MANUFACTURER.
- *IF NOT NOTED IN SHOP DRAWINGS, IT IS IMPORTANT TO REQUIRE FIELD MEASUREMENTS BEFORE FABRICATION.
- *REQUIRE COLOR SAMPLES FOR CUSTOM COLORS.
- *REQUIRE DOOR MANUFACTURER TO PROVIDE AT LEAST SUB-FRAMING TO GUARANTEE DOOR HARDWARE PREP LINES UP WITH FRAMING HARDWARE PREP.
- *DOOR AND FRAME MANUFACTURERS NEED FINAL APPROVED HARDWARE SCHEDULE BEFORE FABRICATION.
- *IF POSSIBLE, REQUIRE DOOR AND FRAME MANUFACTURER TO FACTORY INSTALL LOCKING, HINGING, TOP REMOVABLE HARDWARE MULLION, AND CONCEALED HARDWARE.
- *FOR ANY DOOR AND STOREFRONT OPENING CONCERNS OR QUESTIONS, FEEL FREE TO CONTACT OUR ARCHITECTURAL AND CUSTOMER SUPPORT LINE AT 1-800-806-DOOR.