

T-2000-series CurtainWall Framing

Exterior Glazed Thermally Broken

Product Details

Details:

- T-2000 series has a 2" sightline with various frame depth options from 5-3/4" to 7-3/4".
- Designed for low rise or slab to slab construction.
- Utilizes a snap-in heavy duty CDM-32 door stop, which is 3/16" thick, 5/8" high and 1-1/2" wide. This door stop is an excellent choice where closers, removable hardware mullion, and strikes are mounted directly to door stop.
- Exterior glazed with thermally isolated screw-applied pressure plates with a snap-cover.
- Additional feature: Stabilizer brackets are used in areas, where extra reinforcement and support are needed.
- Unlimited design possibilities and hardware options.
- Infills range from 1/4" to 1".
- Virtually maintenance-free construction.
- Custom and standard anodized, painted, and wood grain finishes.
- UltraFab's UltraFin weatherseals for door stops.
- Unlimited head rail, midrail, and base sizes and configurations available.
- Numerous muntin details available.
- Flush glazed door panels (fluted and smooth patterns) available.
- Concealed card readers available.
- Sunshade adaptable.
- Operable window options available.
- Design Limits – use as a total curtainwall system or high-span storefront constructions.

Product Uses

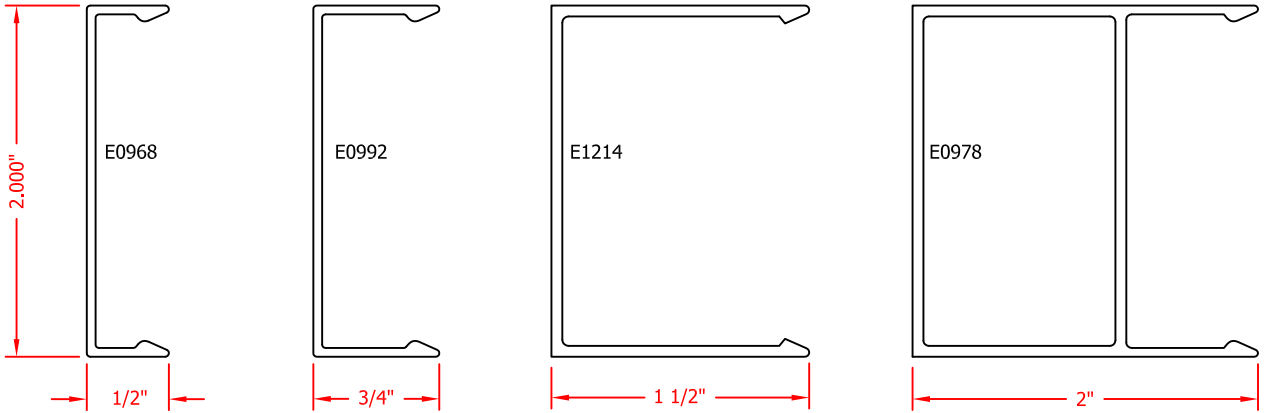
- Areas of common use: Schools, universities, banks, stores, government buildings, restaurants, hotels, utilities buildings, YMCAs, indoor pool areas, aquatic centers.

T-2000-SERIES CURTAINWALL

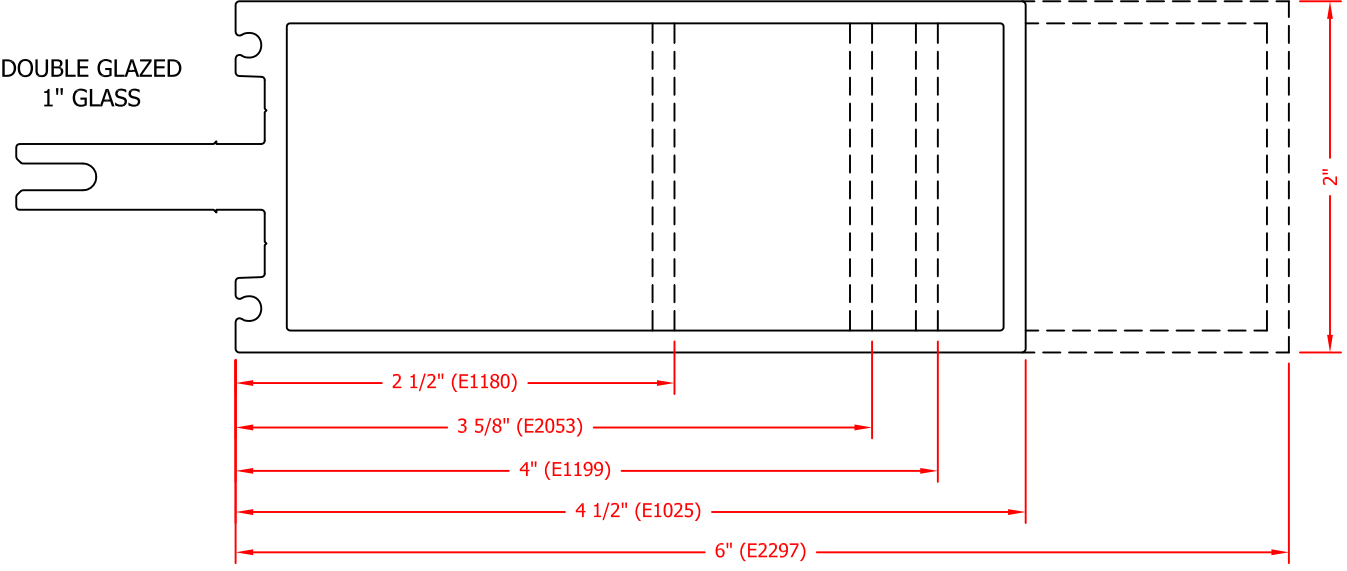
Back Members and Snap Cover Details



*Note: Add 1-1/4" to snap cover and back member dimensions to get total frame depth.



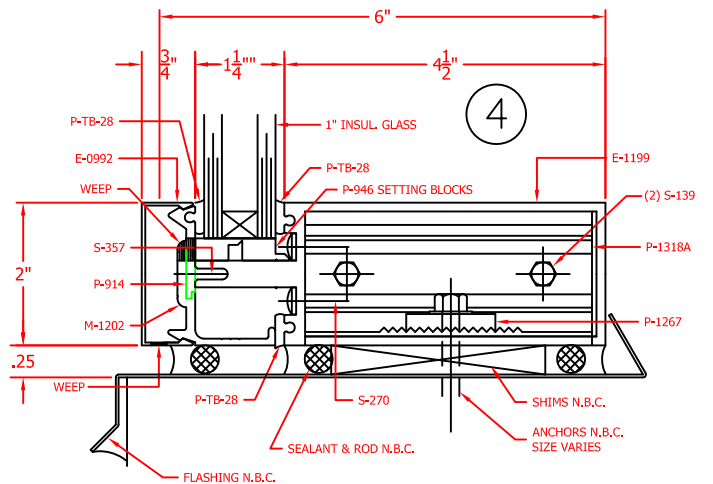
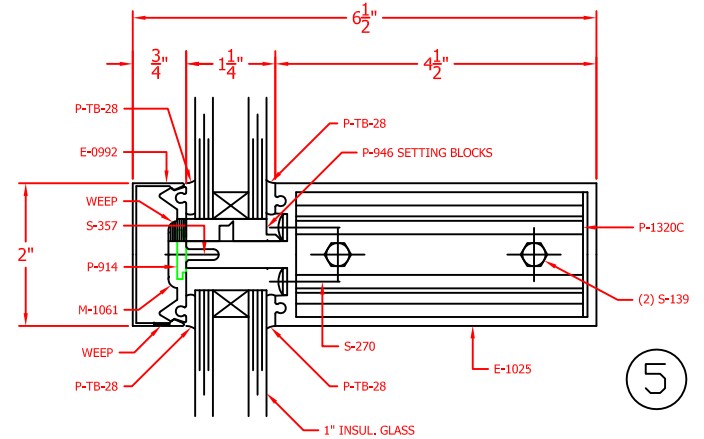
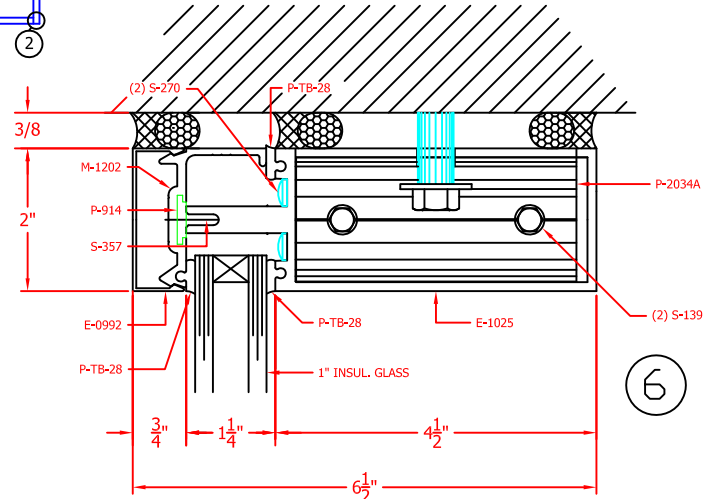
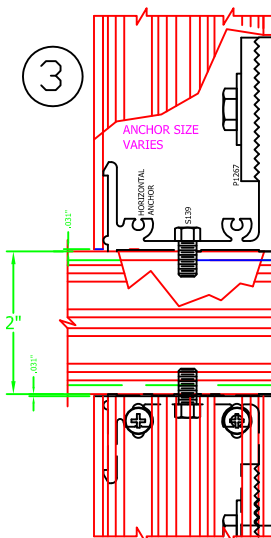
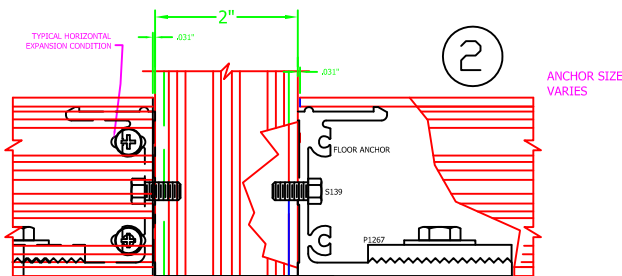
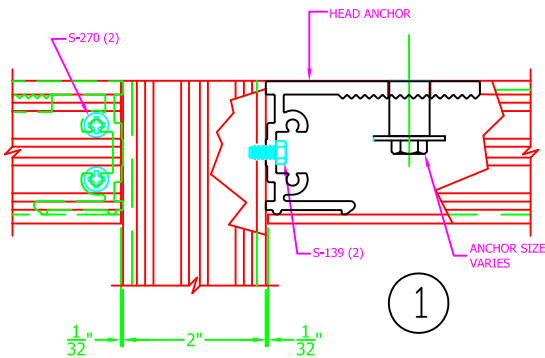
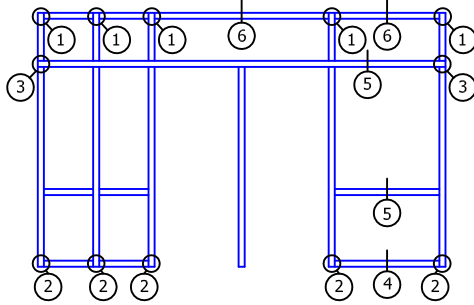
SNAP COVERS



BACK MEMBERS

T-2000-SERIES CURTAINWALL

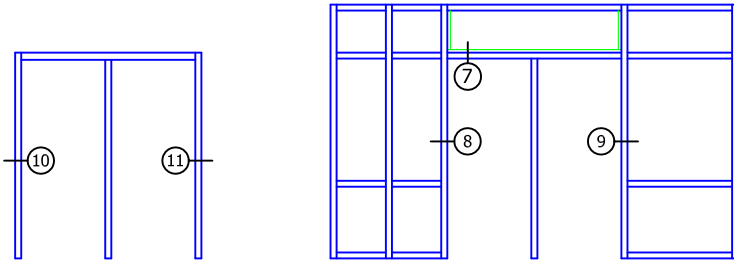
Anchor Clips and Horizontals



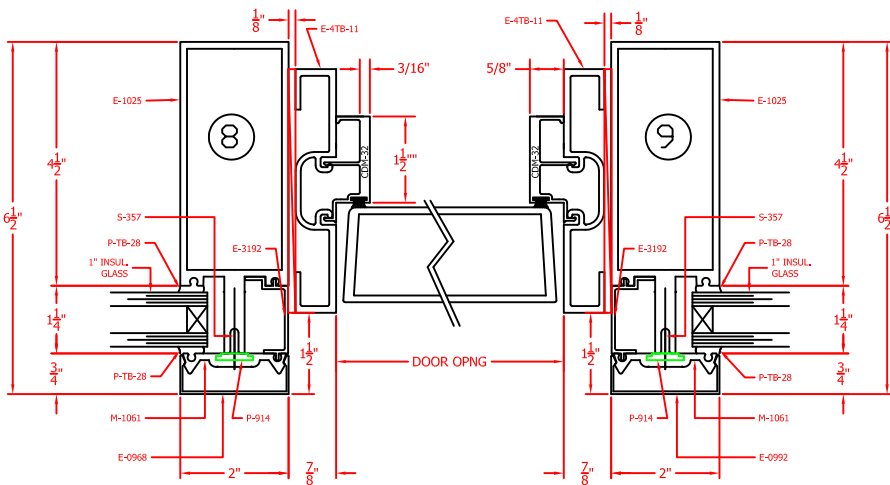
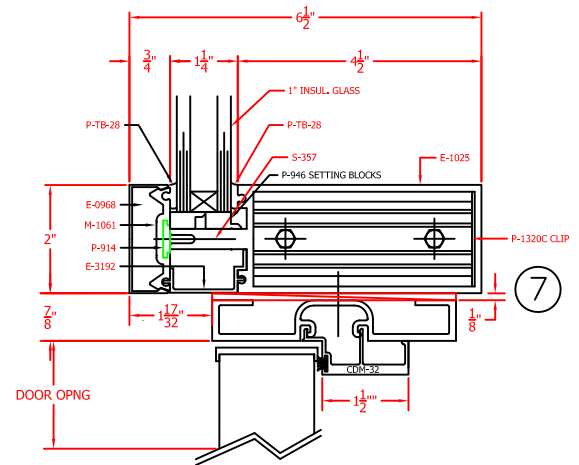
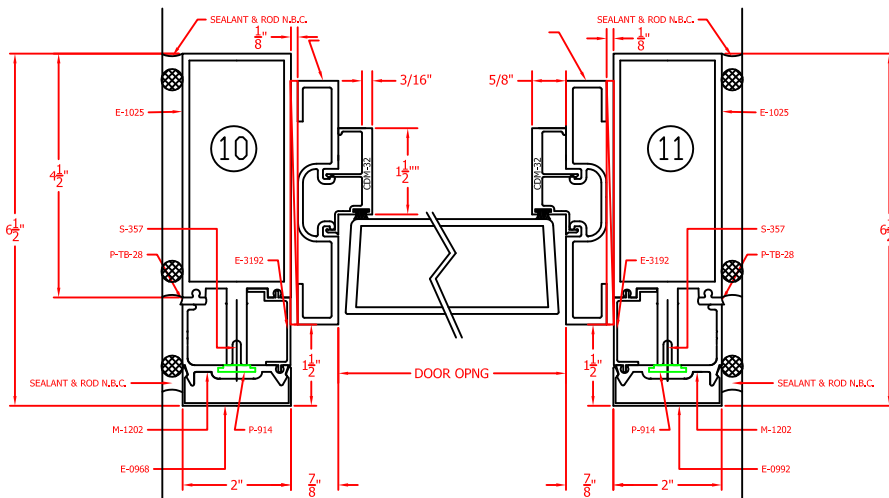
*Note: Custom horizontals heights are available.
All frame depths similar as above just with different snap covers and back members.

T-2000-SERIES CURTAINWALL

Door Opening Details

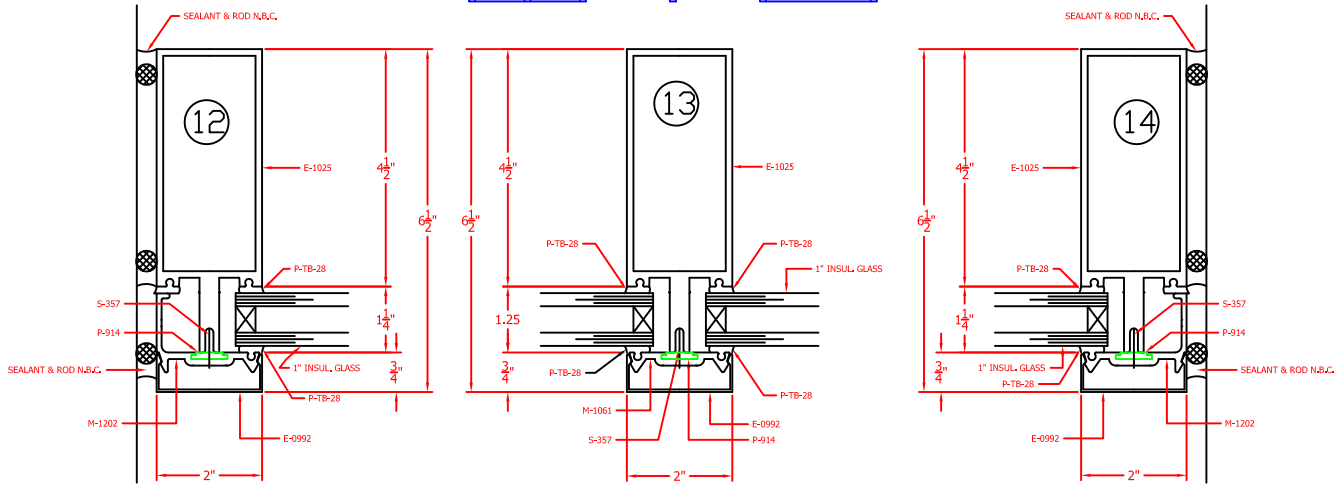
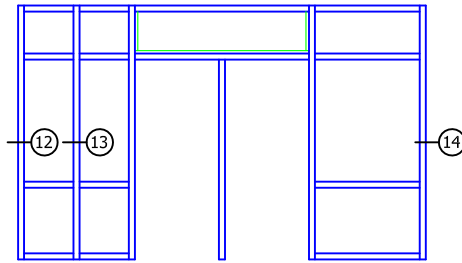


*Note: -Custom door and transom frame headers are available.
 -All frame depths similar as above just with different snap covers and back members.

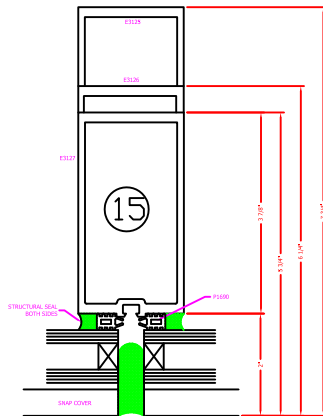


T-2000-SERIES CURTAINWALL

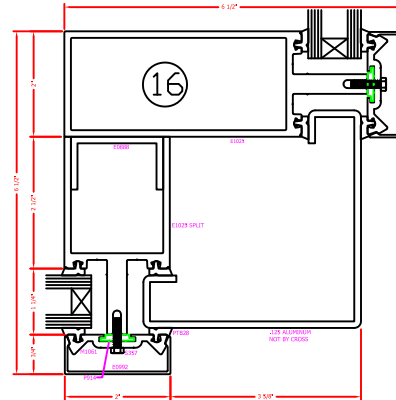
Vertical Mullions and Corners



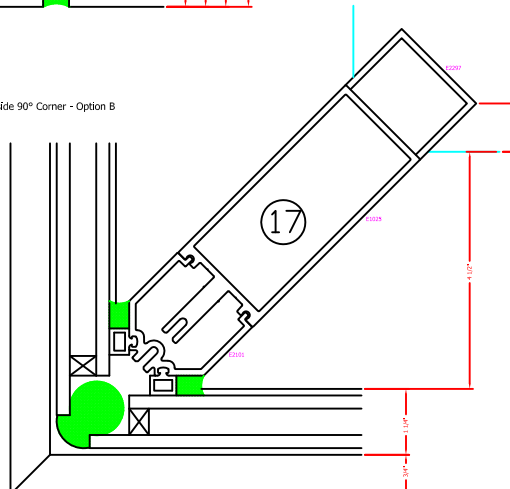
Silicone Glazed Vertical



Outside 90° Corner - Option A



Outside 90° Corner - Option B

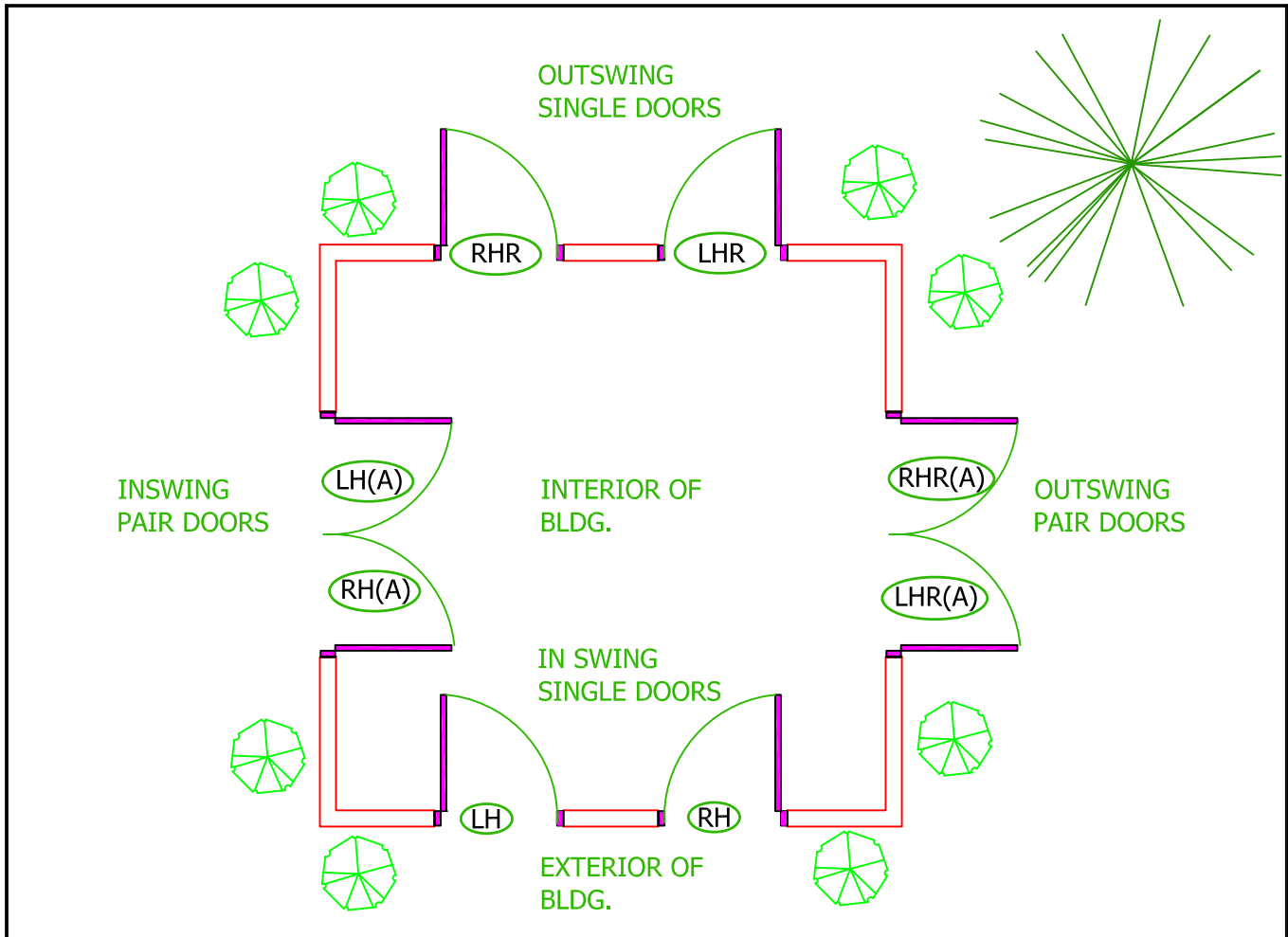


*Note: -Custom frame jambs are available.
-All frame depths similar as above just with different snap covers and back members.

T-2000-SERIES CURTAINWALL



General Helps



FINDING DOOR SWINGS USING A FLOOR PLAN.

NOTE: ON PAIR DOORS, ONE DOOR LEAF IS USUALLY SELECTED AS THE ACTIVE LEAF. THIS IS DONE BY ATTACHING A LETTER A AT THE END OF THE ACTIVE DOORS HANDING.

OTHER IMPORTANT FACTORS FOR ALUMINUM DOOR AND CURTAINWALL SPECS.

- *REMEMBER TO SPECIFY A CURTAINWALL SYSTEM THAT CAN HANDLE PROJECTS NEEDS - EXAMPLES LOW RISE/SLAB TO SLAB/ MEDIUM RISE, ETC.
- *CURTAINWALL CAN HAVE DUAL FINISHES (INTERIOR AND EXTERIOR FINISHES). TO SAVE PROJECT COST, CUSTOM PAINTED FINISH CAN BE ON THE EXTERIOR AND STANDARD ANODIZED FINISH ON INTERIOR.
- *IF NOT NOTED IN SHOP DRAWINGS, IT IS IMPORTANT TO REQUIRE FIELD MEASUREMENTS BEFORE FABRICATION.
- *REQUIRE COLOR SAMPLES FOR CUSTOM COLORS.
- *REQUIRE DOOR MANUFACTURER TO PROVIDE AT LEAST SUBFRAME DOOR FRAMING TO GUARANTEE DOOR HARDWARE PREP LINES UP WITH FRAMING HARDWARE PREP.
- *DOOR AND FRAME MANUFACTURERS NEED FINAL APPROVED HARDWARE SCHEDULE BEFORE FABRICATION.
- *IF POSSIBLE, REQUIRE DOOR AND FRAME MANUFACTURER TO FACTORY INSTALL LOCKING, HINGING, TOP REMOVABLE HARDWARE MULLION, AND CONCEALED HARDWARE.
- *FOR ANY DOOR AND CURTAINWALL OPENING CONCERNS OR QUESTIONS, FEEL FREE TO CONTACT OUR ARCHITECTURAL AND CUSTOMER SUPPORT LINE AT 1-800-806-DOOR.